

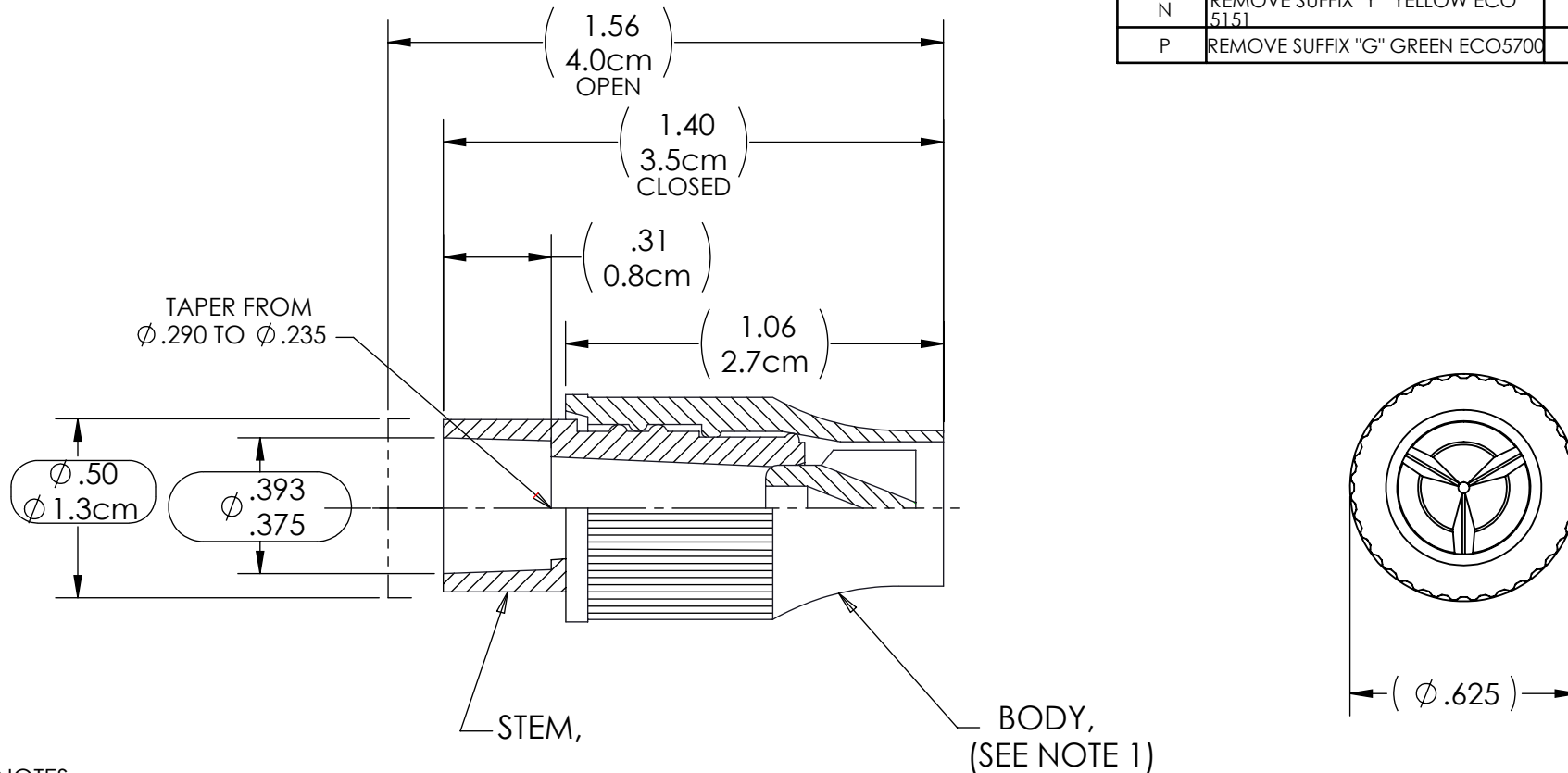
DRAWING NO.  
C320TETX

REV  
P

# Customer Drawing

## Revision History

REV	DESCRIPTION (ECO)	DATE	APPROVED
N	REMOVE SUFFIX "Y" YELLOW ECO 5151	3/21/12	AK
P	REMOVE SUFFIX "G" GREEN ECO5700	6/21/13	AK



NOTES:

- SUFFIX INDICATES COLOR:  
NO SUFFIX - LIGHT BLUE  
DB - DARK BLUE  
BK - BLACK  
W - WHITE
- CRITICAL DIMENSIONS ARE CIRCLED AND SUBJECT TO INSPECTION.
- DIMENSIONS IN PARENTHESES ARE REFERENCE ONLY.
- ALL DIMENSIONS ARE IN INCHES WITH NOMINAL DIMENSIONS IN METRIC BELOW.

QUALITY CRITERIA:

O.D. FLASH: 0.015 MAX. (0.4MM)

GATE VESTIGE: 0.01 MAX. (0.3MM)

EMBEDDED PARTICLES, BUBBLES, SPOTS, STAINS: 0.3mm<sup>2</sup> MAX. NO MORE THAN 3 PER PART.

DRAWN BY	M.S.	DATE	03-14-00
APPROVED BY	J.W.	DATE	03-14-00
MATERIAL	AS NOTED		
FINISH			
UNLESS OTHERWISE SPECIFIED:	THIRD ANGLE PROJECTION		
<small>DIMENSIONS ARE IN INCHES TOLERANCES: ANGULAR: ± 1° TWO PLACE DECIMAL ± .01 THREE PLACE DECIMAL ± .005</small>			



TITLE	TUBE END TWIST VALVE		
SIZE	A	DRAWING NO.	C320TETX
SCALE	2:1	DO NOT SCALE DRAWING	SHEET 1 OF 2

**MOLDED PARTS:**  
GATES, PARTING LINES, AND FLASH PER QUALITY CRITERIA

**PROPRIETARY AND CONFIDENTIAL**

THE INFORMATION CONTAINED IN THIS DRAWING IS THE SOLE PROPERTY OF HALKEY-ROBERTS CORPORATION ST. PETERSBURG, FL. ANY REPRODUCTION IN PART OR AS A WHOLE WITHOUT THE WRITTEN PERMISSION OF HALKEY-ROBERTS CORPORATION IS PROHIBITED.