

DRAWING NO.

C646APSX

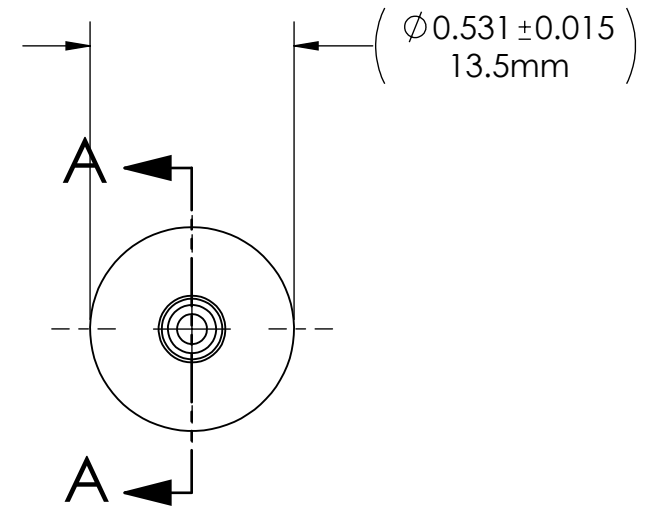
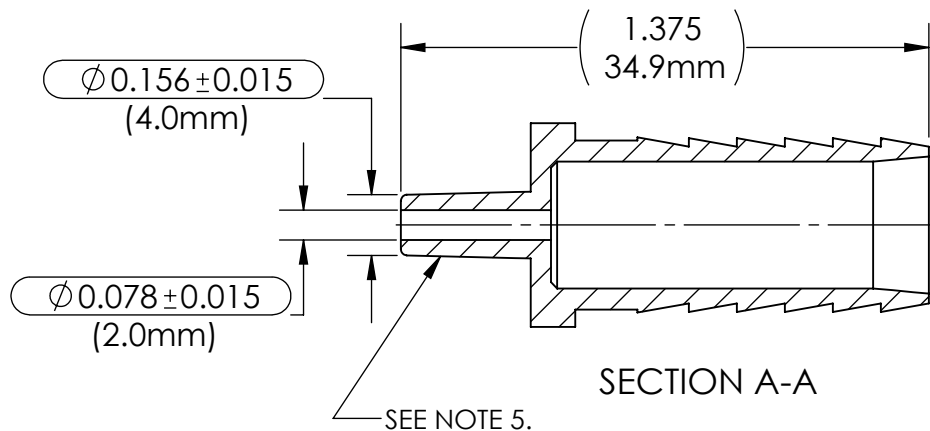
REV

G

Customer Drawing

Revision History

REV	DESCRIPTION (ECO)	DATE	APPROVED
F	ADD SUFFIX OPS FOR BLACK & CLEAR P.C. ECO 6357	12-18-14	AK
G	UPDATE MAT SPEC FOR P.C. SUFFIX OPTIONS ECO 6509	5/07/15	AK



NOTES:

1. "X" SUFFIX INDICATES COLOR AND MATERIAL:

BK - BLACK PVC
C - CLEAR PVC

BK2 - BLACK NON DEHP PVC
C2 - CLEAR NON DEHP PVC

BKPC - BLACK RX1805451118BK96M POLYCARBONATE
CPC - CLEAR RX1805451118 POLYCARBONATE

2. CRITICAL DIMENSIONS ARE CIRCLED, AND SUBJECT TO INSPECTION.

3. DIMENSIONS IN PARENTHESIS ARE FOR REFERENCE ONLY.

4. ALL DIMENSIONS ARE IN INCHES WITH NOMINAL,
DIMENSIONS IN MILLIMETERS BELOW.

5. LUER COMPATIBLE WITH ISO594-2

QUALITY CRITERIA:

O.D. FLASH: 0.015 MAX. (0.4mm)

GATE VESTIGE: 0.01 MAX. (0.3mm)

EMBEDDED PARTICLES, BUBBLES, SPOTS, STAINS: 0.3mm²
MAX. NO MORE THAN 5 PER PART.

DRAWN BY	M.S.	DATE	
APPROVED BY	J.W.	DATE	01-29-81
MATERIAL	PVC		
FINISH			
UNLESS OTHERWISE SPECIFIED:	THIRD ANGLE PROJECTION		
DIMENSIONS ARE IN INCHES TOLERANCES: ANGULAR: ± 1° TWO PLACE DECIMAL ± .01 THREE PLACE DECIMAL ± .005			
SIZE	DRAWING NO.		REV
A	C646APSX		G
SCALE	DO NOT SCALE DRAWING		SHEET
2:1			1 OF 2

MOLDED PARTS:

GATES, PARTING LINES, AND FLASH PER QUALITY CRITERIA

PROPRIETARY AND CONFIDENTIAL

THE INFORMATION CONTAINED IN THIS DRAWING IS THE SOLE PROPERTY OF HALKEY-ROBERTS CORPORATION ST. PETERSBURG, FL. ANY REPRODUCTION IN PART OR AS A WHOLE WITHOUT THE WRITTEN PERMISSION OF HALKEY-ROBERTS CORPORATION IS PROHIBITED.



Halkey-Roberts

INFLATION ADAPTER
(WITHOUT FOAM)