

DRAWING NO.

CV15900LDB

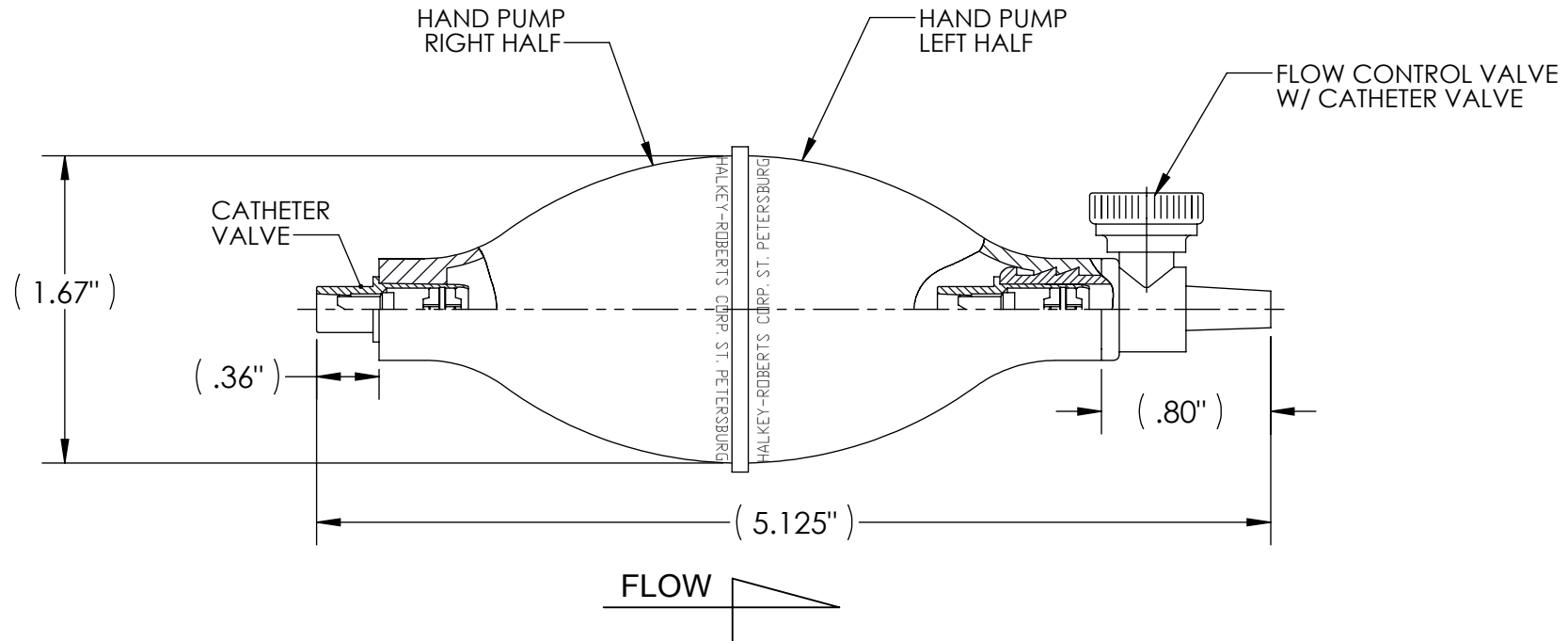
REV

A

## Customer Drawing

## Revision History

REV	DESCRIPTION (ECO)	DATE	APPROVED
A	NEW DRAWING ECN 3843	8/06/08	P.M.
-	-	-	-



DRAWN BY	DMC	DATE	
APPROVED BY	P.M.	DATE	
MATERIAL	SEE SHEET 2		



Halkey-Roberts

TITLE  
HAND PUMP, ASSY.  
W/ LUER TAPER END

## MOLDED PARTS:

GATES, PARTING LINES, AND FLASH PER QUALITY CRITERIA

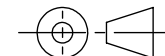
## PROPRIETARY AND CONFIDENTIAL

THE INFORMATION CONTAINED IN THIS DRAWING IS THE SOLE PROPERTY OF HALKEY-ROBERTS CORPORATION, ST. PETERSBURG, FL. ANY REPRODUCTION IN PART OR AS A WHOLE WITHOUT THE WRITTEN PERMISSION OF HALKEY-ROBERTS CORPORATION IS PROHIBITED.

## UNLESS OTHERWISE SPECIFIED:

DIMENSIONS ARE IN INCHES  
TOLERANCES:  
ANGULAR: ± 1°  
TWO PLACE DECIMAL ± .01  
THREE PLACE DECIMAL ± .005

## THIRD ANGLE PROJECTION

SIZE  
ASCALE  
1:1

DRAWING NO.

CV15900LDB

REV  
A

DO NOT SCALE DRAWING

SHEET

1 OF 2