

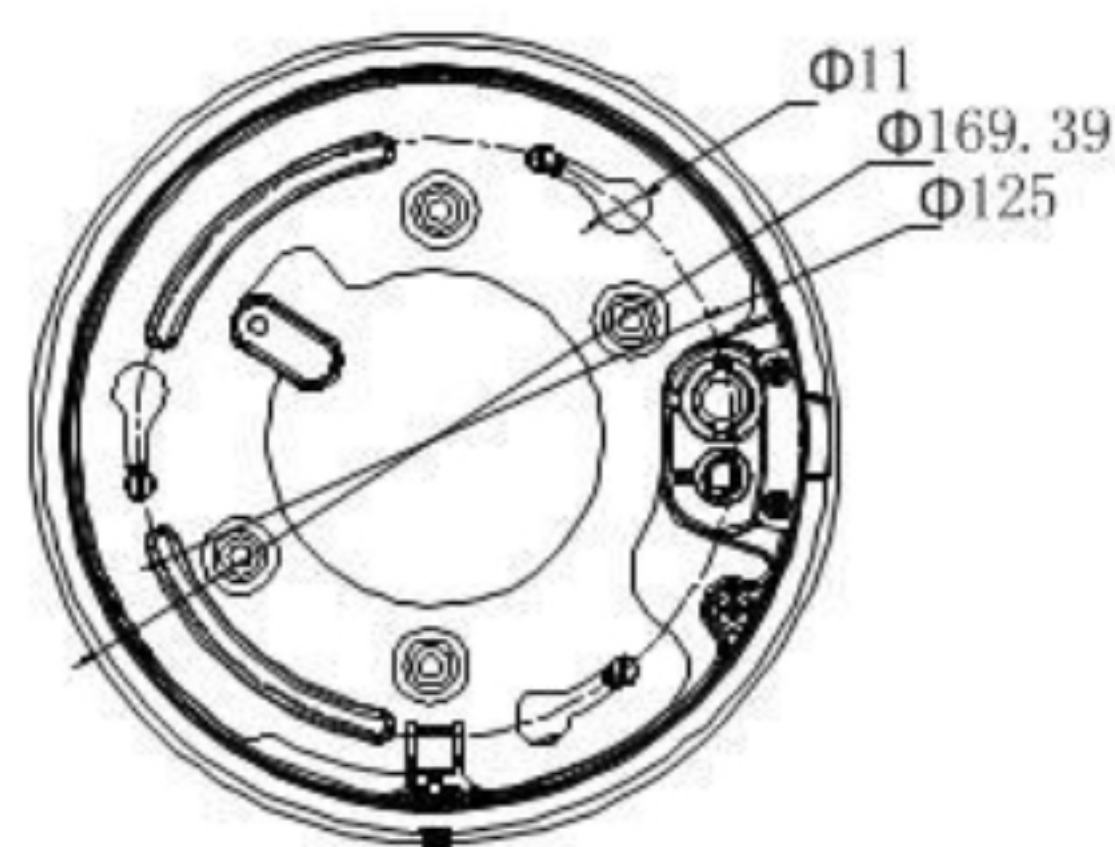
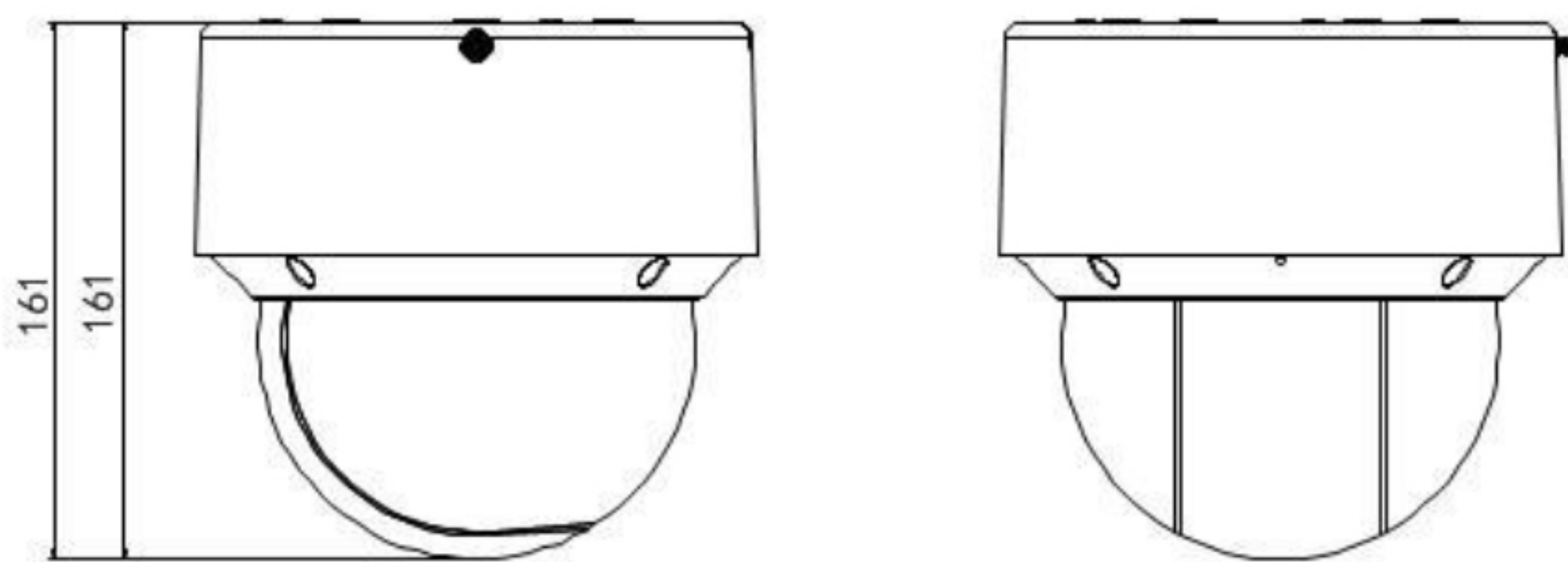
RM-MP-220XDNIR

2MP IP IR MINI PTZ DOME SECURITY CAMERA 4.7-94MM



MAIN FEATURES

- Up to 2MP HD Resolution
- 1/2.8" Progressive Scan CMOS
- 20X Optical Zoom
- Up to 50m IR range
- 3D intelligent positioning function
- 12VDC & POE
- 12VDC Power Adapter included



Unit:mm

Camera Module	
Image Sensor	1/2.8" progressive scan CMOS
Min. Illumination	Color: 0.05 Lux @ (F1.6, AGC ON) B/W: 0.01 Lux @ (F1.6, AGC ON) 0 Lux with IR
White Balance	Auto/ Manual/ ATW (Auto Tracing White Balance)/ Indoor/ Outdoor/ Fluorescent lamp/ Sodium lamp
AGC	Auto/ Manual
Shutter Speed	1/1 to 1/30,000s
Day & Night	Auto ICR
Digital Zoom	16x
Privacy Mask	8 programmable privacy masks
Focus Mode	Auto/ Semi-automatic/ Manual
3D DNR	Support
BLC	Support
WDR	Support
Regional Exposure	Support
Regional Focus	Support
Lens	
Focal Length	4.7 to 94mm, 20x Optical
Zoom Speed	Approx. 2.7s (optical lens, wide-tele)
Field of View	61.4° to 2.9° (wide-tele)
Working Distance	10 to 1500mm (wide-tele)
Aperture Range	F1.6 to F3.5
IR	
IR Distance	Up to 50m
IR Intensity	Automatically adjusted, depending on the zoom ratio
PTZ	
Movement Range (Pan)	360° endless
Pan Speed	Configurable, from 0.1°/s to 300°/s Preset Speed: 350°/s
Movement Range (Tilt)	From -5° to 90°
Tilt Speed	Configurable, from 0.1°/s to 160°/s Preset Speed: 200°/s
Proportional Zoom	Support
Presets	300
Patrol Scan	8 patrols, up to 32 presets for each patrol
Pattern Scan	4 pattern scans, record time over 10 minutes for each scan
Power-off Memory:	Support
Park Action	Preset/ Pattern Scan/ Patrol Scan/ Auto Scan / Tilt Scan/ Random Scan/ Frame Scan/ Panorama Scan
PTZ Position Display	ON/ OFF
Preset Freezing	Support
Scheduled Task	Preset/ Pattern Scan/ Patrol Scan/ Auto Scan / Tilt Scan/ Random Scan/ Frame Scan/ Panorama Scan/ Dome Reboot/ Dome Adjust
Network	
Max. Resolution	1920 × 1080
Main Stream	50Hz: 25fps (1920 × 1080, 1280 × 960, 1280 × 720), 50fps (1920 × 1080, 1280 × 960, 1280 × 720); 60Hz: 30fps (1920 × 1080, 1280 × 960, 1280 × 720), 60fps (1920 × 1080, 1280 × 960, 1280 × 720)
Sub Stream	50Hz: 25fps (704×576, 640×480, 352 × 288); 60Hz: 30fps (704×480, 640×480, 352 × 240)
Third Stream	50Hz: 25fps (1920 × 1080, 1280 × 960, 1280 × 720, 704 × 576, 640×480, 352 × 288); 60Hz: 30fps (1920 × 1080, 1280 × 960, 1280 × 720, 704 × 480, 640×480, 352 × 240)
Video Compression	H.264/ MJPEG
Audio compression	G.711alaw/ G.711ulaw/ G.722.1/ G.726/ MP2L2/PCM
Protocols	IPv4/IPv6, HTTP, HTTPS, 802.1x, Qos, FTP, SMTP, UPnP, SNMP, DNS, DDNS, NTP, RTSP, RTCP, RTP, TCP/IP, DHCP, PPPoE, Bonjour
Simultaneous Live View	Up to 20 channels
User/Host	Up to 32 users 3 levels: Administrator, Operator and User
Security Measures	User authentication (ID and PW), Host authentication (MAC address); HTTPS encryption; IEEE 802.1x port-based network access control; IP address filtering
System Integration	
Alarm Input	2-ch alarm input
Alarm Output	2-ch alarm output
Alarm Linkage	Alarm actions, such as Preset, Patrol Scan, Pattern Scan, Memory Card Video Record, Trigger Recording, Notify Surveillance Center, Upload to FTP/Memory Car/NAS, Send Email, etc.
Audio Input	1-ch audio input
Audio Output	1-ch audio output
Network Interface	1 RJ45 10M/100M Ethernet Interface; POE (802.3at, class4)
API	Open-ended, supporting ONVIF, PSIA and CGI, supporting HIKVISION SDK and Third-Party Management Platform, supporting Hik Cloud P2P
Client	iVMS-4200
Web Browser	IE7+, Chrome18+, Firefox5.0+, Safari5.02+
General	
Power	DC 12V and PoE (802.3at, class4) Max.: 18W (IR light 5W Max.)
Working Temperature	Outdoor: -30°C to 65°C (-22°F to 149°F)
Working Humidity	≤ 90%
Protection Level	IP66 Standard; TVS 4000V Lightning Protection, Surge Protection and Voltage Transient Protection
Installation	Variable installation methods optional, including ceiling mounting (default), in-ceiling mounting, junction box installation and wall mounting
Dimensions(mm)	Φ169.39mm × 161mm (Φ6.67" × 6.34")
Weight	Approx. 2.45kg (5.40lb)