

Solid state, true DC

# USB RF SPDT Switch Matrix

## USB-2SP2T-DCH

50Ω DC to 8000 MHz

### The Big Deal

- DC passing & ultra-wide bandwidth, DC to 8 GHz
- Dual SPDT switch with single USB interface
- High isolation, 50 dB typ up to 4 GHz
- High power handling, +35 dBm max



Software Package

Case Style: QM2468

### Typical Applications

- Satcom / GNSS antenna switching (RF & DC paths)
- Signal routing / switch matrices
- High volume production testing / ATE
- Design verification testing

### Product Overview

Mini-Circuits' USB-2SP2T-DCH is a low cost, USB controlled, solid state matrix, containing two independent SPDT RF switches. Each fast switching, absorptive SPDT switch operates from true DC all the way to 8 GHz with 10 μs typical switch transition speed. High linearity (+50 dBm typ IP3), low insertion loss (1.5 dB typ) and high isolation (50 dB typical) allow the model to be used for a wide variety of RF applications.

Full software support is provided for USB control, including our user-friendly GUI application for Windows and a full API with programming instructions for Windows and Linux environments (both 32-bit and 64-bit systems). The latest version of the full software package can be downloaded from <https://www.minicircuits.com/softwaredownload/solidstate.html> at any time.

The USB-2SP2T-DCH is housed in a compact, low profile, rugged metal case (4.58" x 2.00" x 0.475") with 6 SMA (F) connectors (COM, 1 and 2 for each switch), and a USB Mini-B port for power control .

**RoHS Compliant**

See our web site for RoHS Compliance methodologies and qualifications

### Key Features

Feature	Advantages
High speed switch transition (10 μsec typ)	High speed switching reduces the time the signal paths are interrupted and allows the switch to be used in a wider range of applications.
High Linearity (IP3 50 dBm typ.)	Results in little or negligible inter-modulation generation, meeting requirements for digital communications signals
Low insertion loss (1.5 dB typ)	Results in reduced system loss and heat build up
Full software support included	Mini-Circuits' full software package, programming and user manual are available for download from <a href="https://www.minicircuits.com/softwaredownload/solidstate.html">https://www.minicircuits.com/softwaredownload/solidstate.html</a> at no extra cost.

**Trademarks:** Windows is a registered trademark of Microsoft Corporation in the United States and other countries. Linux is a registered trademark of Linus Torvalds. Pentium is a registered trademark of Intel Corporation. Neither Mini-Circuits nor the Mini-Circuits USB-2SP2T-DCH are affiliated with or endorsed by the owners of the above referenced trademarks

Mini-Circuits and the Mini-Circuits logo are registered trademarks of Scientific Components Corporation.



[www.minicircuits.com](http://www.minicircuits.com) P.O. Box 350166, Brooklyn, NY 11235-0003 (718) 934-4500 sales@minicircuits.com

Rev. C  
M171567  
EDR-11445  
USB-2SP2T-DCH  
RAV  
181217  
Page 1 of 8

## Electrical Specifications @ 0 to 50°C

Parameter	Port	Conditions	Min.	Typ.	Max.	Units
Operating Frequency			DC		8000	MHz
Insertion Loss	COM to any active port	DC to 300 MHz	-	0.75	1.2	dB
		300 - 3000 MHz	-	1.0	1.5	
		3000 - 6000 MHz	-	1.3	2.5	
		6000 - 8000 MHz	-	1.7	3.0	
Isolation	Between ports 1 and 2 of each switch	DC to 300 MHz	70	90	-	dB
		300 - 3000 MHz	46	57	-	
		3000 - 6000 MHz	33	44	-	
		6000 - 8000 MHz	28	37	-	
	COM to any terminated port	DC to 300 MHz	62	81	-	
		300 - 3000 MHz	40	51	-	
		3000 - 6000 MHz	31	41	-	
		6000 - 8000 MHz	26	36	-	
Switch A to Switch B	DC to 8000 MHz	71	103	-		
VSWR	COM or any active port	DC to 3000 MHz	-	1.20	-	:1
		3000 - 6000 MHz	-	1.25	-	
		6000 - 8000 MHz	-	1.40	-	
	Any terminated port	DC to 3000 MHz	-	1.15	-	
		3000 - 6000 MHz	-	1.30	-	
		6000 - 8000 MHz	-	1.35	-	
Power Input @ 1 dB Compression <sup>1,2,3</sup>	COM to any active port	40 to 8000 MHz	-	38	-	dBm
IP3 <sup>3,4</sup>	COM to any active port	40 to 8000 MHz	-	50	-	dBm
Transition Time <sup>5</sup>	-		-	10	14	µs
Minimum dwell time <sup>6</sup>	High Speed Mode		-	20	-	µs
Switching Time (USB) <sup>7</sup>	-	-	-	2	-	ms
Rated voltage	USB port	-	4.75	5	5.25	V
Rated Current		-	-	150	200	mA
Operating RF Input Power	COM to any active port	Hot Switching <sup>1</sup>	-	-	+23	dBm
	Any terminated port	Note 1	-	-	+23	
	COM to any active port	Through path <sup>2</sup>	-	-	+35	
DC bias voltage	Any RF port	-	-7	-	7	V
DC pass-through current	COM to any active port		-60	-	60	mA

<sup>1</sup> Max operating power at terminated port degrades linearly below 20 MHz to +17 dBm at 2 MHz and remains constant from 2 MHz to DC

<sup>2</sup> Max operating power at through path degrades linearly below 30 MHz to +25 dBm at 2 MHz and remains constant from 2 MHz to DC

<sup>3</sup> Compression and IP3 degrade below 40 MHz

<sup>4</sup> IP3 Tested with 1 MHz span between signals.

<sup>5</sup> Transition time spec represents the time that the RF signal paths are interrupted during switching and thus is specified without communication delays.

<sup>6</sup> Minimum dwell time is the shortest time that can be achieved between 2 switch transitions when programming an automated switch sequence.

<sup>7</sup> Switching time(USB) is the time from issuing a single software command via USB to the switch state changing. The most significant factor is the host PC, influenced by CPU load and USB protocol. The time shown is an estimate for a medium CPU load and USB 2.0 connection.

### Absolute Maximum Ratings

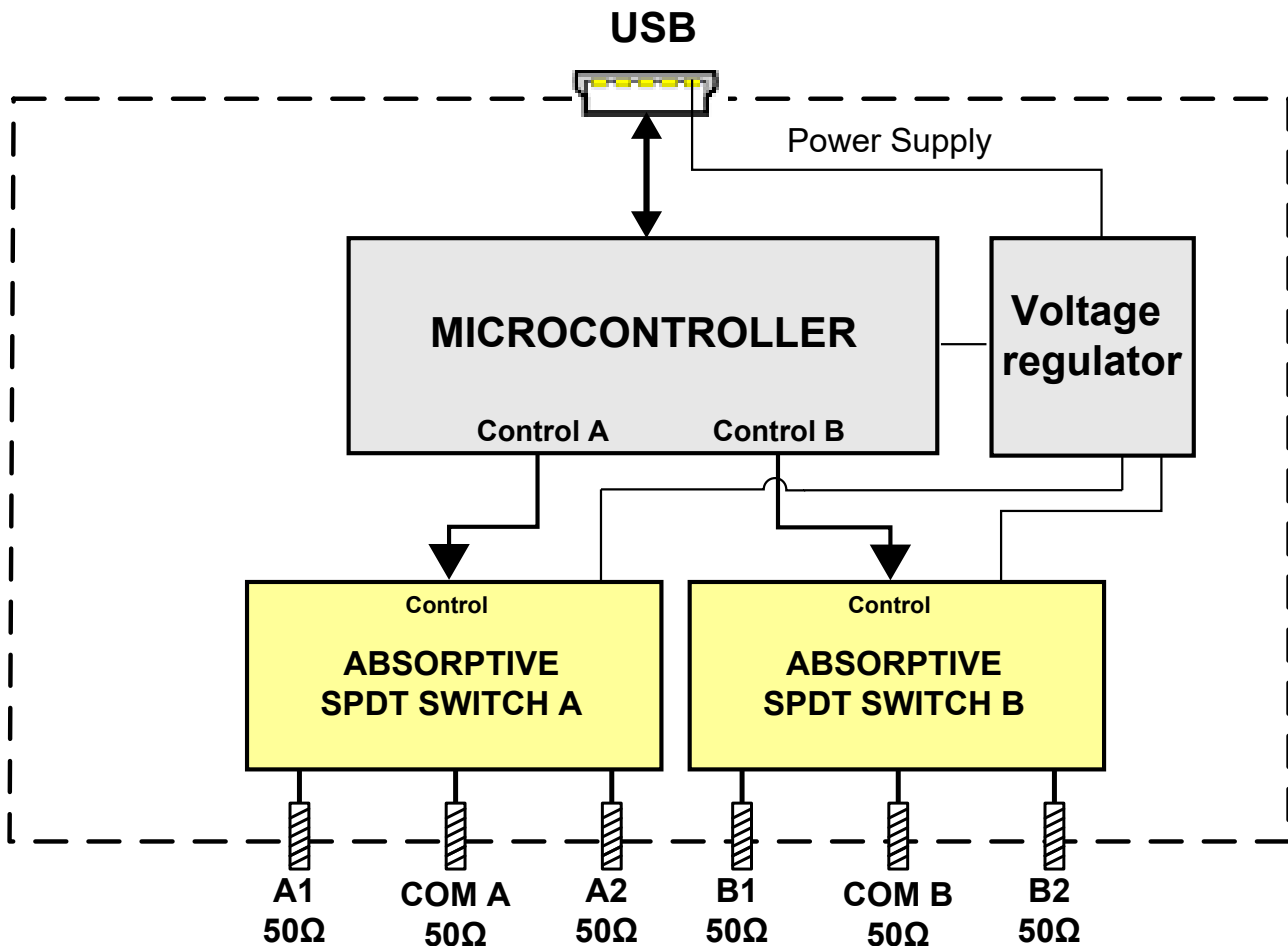
Operating Temperature		0°C to 50°C
Storage Temperature		-20°C to 60°C
DC supply voltage max.		6V
RF power into termination	DC - 20 MHz	Derate linearly from +24 dBm@20 Mhz to +18 dBm @ 2MHz and remains constant from 2 MHz to DC
	20 - 8000 MHz	+24 dBm
RF power @ Through Path	DC - 30 MHz	Derate linearly from +38 dBm@30 MHz to +28 dBm at 2 MHz and remains constant from 2 MHz to DC
	30 - 8000 MHz	38 dBm
DC voltage @ RF Ports		±7V
DC pass-through current		80mA

Permanent damage may occur if any of these limits are exceeded. Operating in the range between operating power limits and absolute maximum ratings for extended periods of time may result in reduced life and reliability.

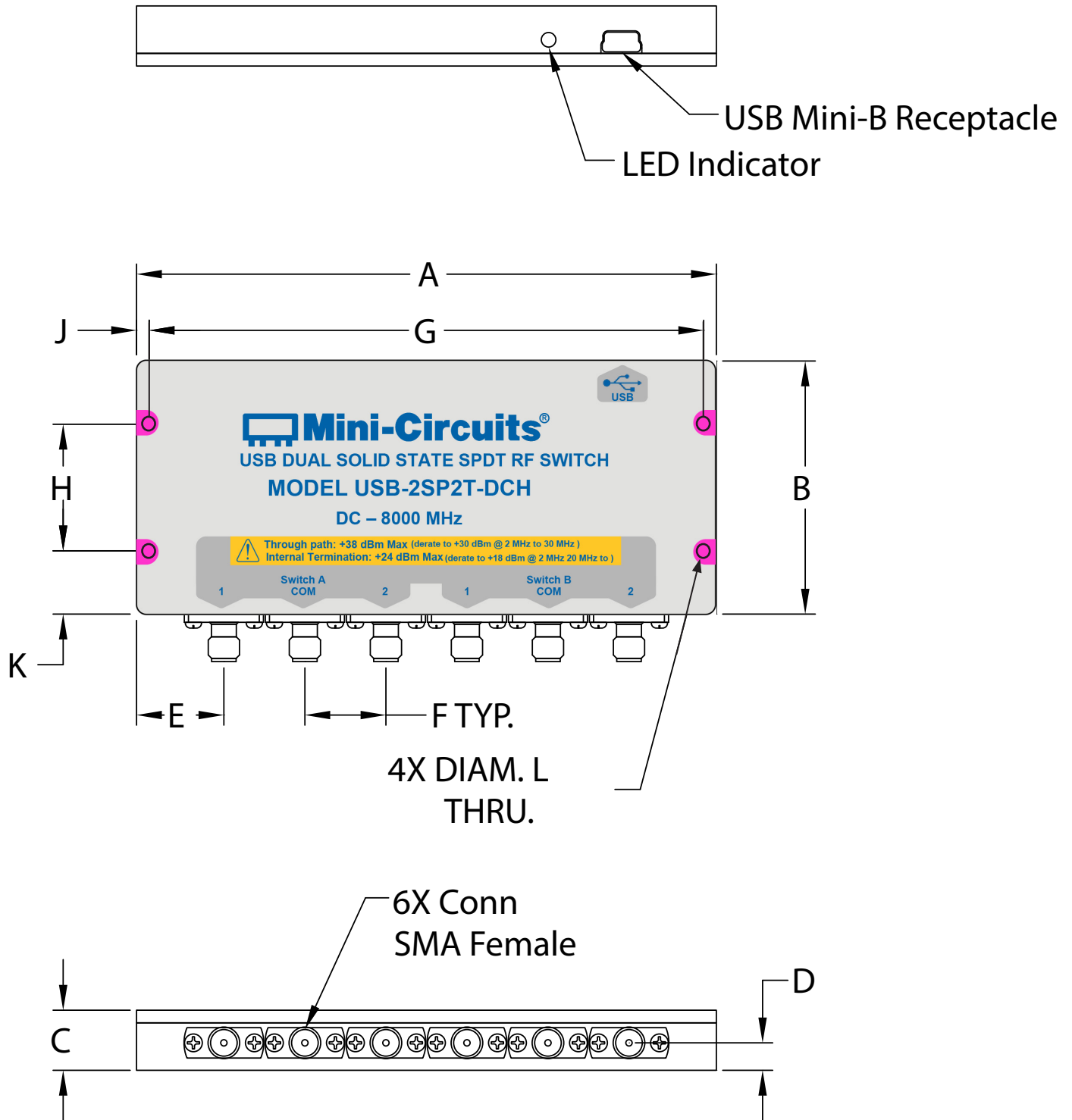
### Connections

RF SPDT Switch A (1, 2, COM)	(SMA female)
RF SPDT Switch B (1, 2, COM)	(SMA female)
USB	(USB type Mini-B receptacle)

### Simplified Diagram



Outline Drawing (QM2468)



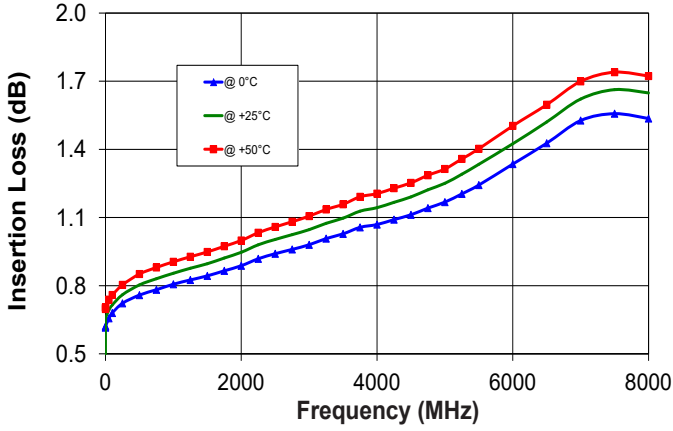
**Outline Dimensions (inch/mm)**

A	B	C	D	E	F	G	H	J	K	L	WT. GRAMS
4.58	2.00	.475	0.217	0.69	0.640	4.380	1.000	0.10	0.50	0.106	260
116.33	50.8	12.07	5.51	17.53	16.26	111.25	25.40	2.54	12.70	2.69	

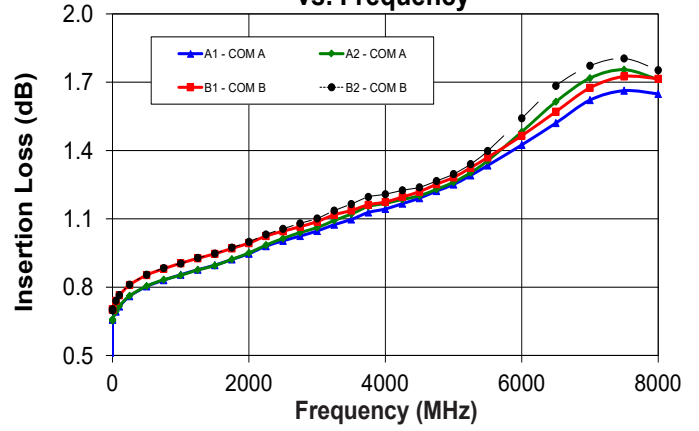


## Typical Performance Curves

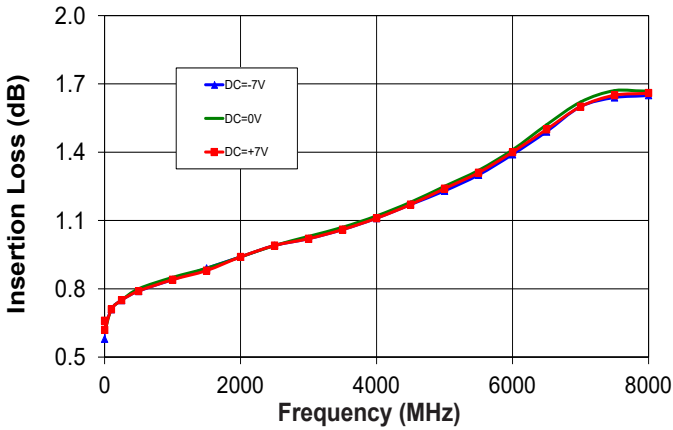
Insertion Loss over Temp.



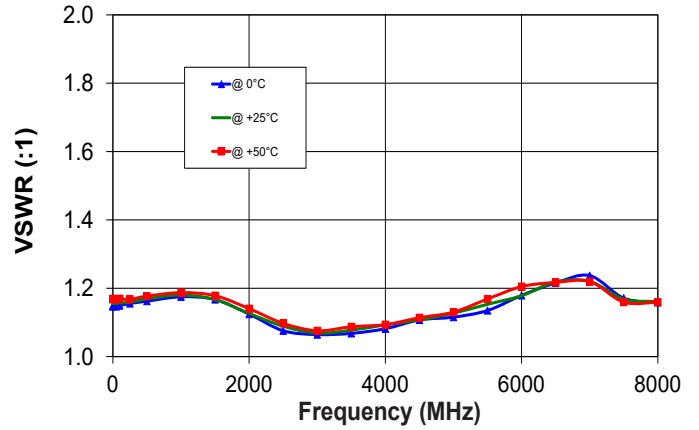
Insertion Loss of all switches in module vs. Frequency



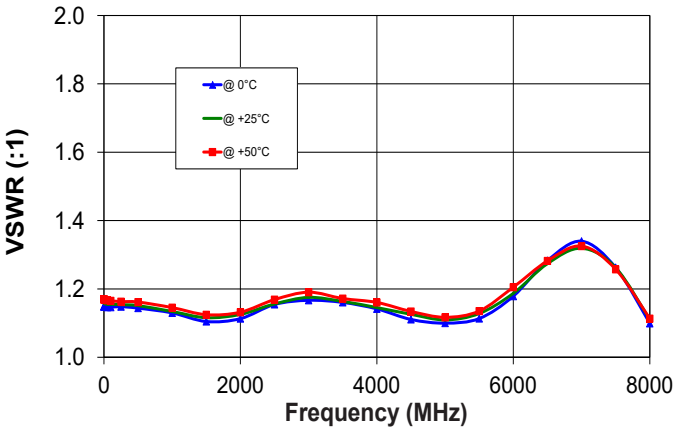
Insertion Loss with DC Bias at COM Port.



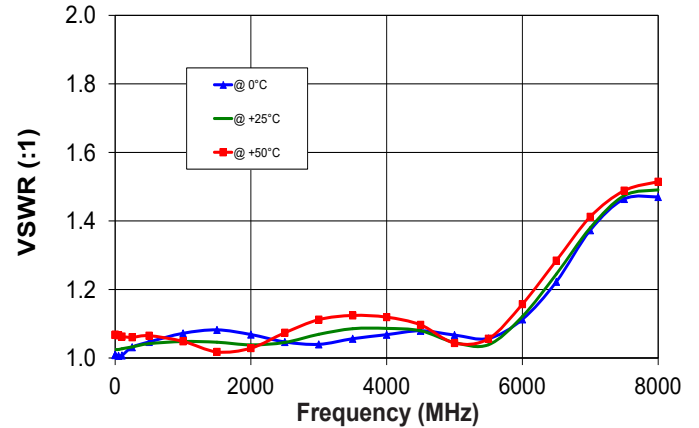
Common Port VSWR over Temp.



Active Port VSWR over Temp.

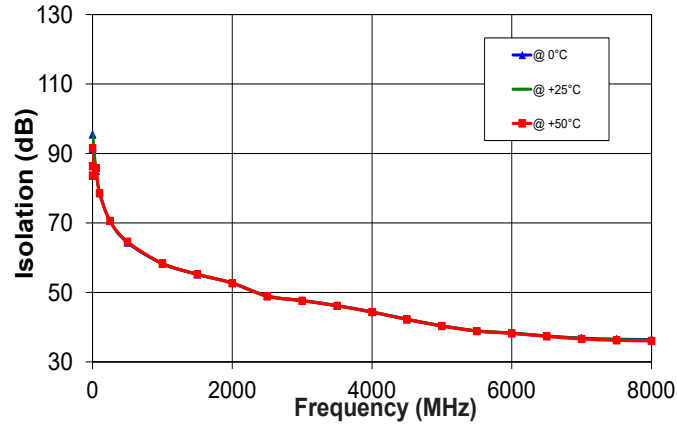


Internal Term. VSWR over Temp.

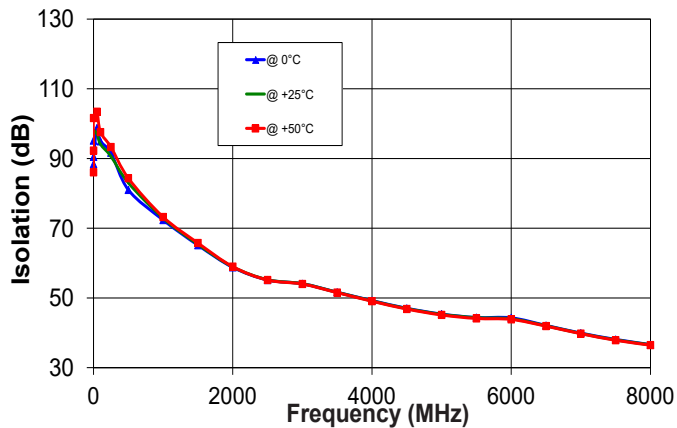


## Typical Performance Curves (Continued)

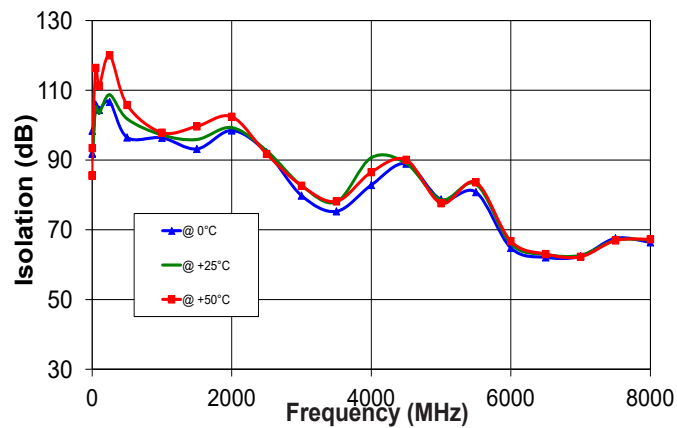
### Com to Port Isolation over Temp.



### Port 1 to Port 2 Isolation over Temp.



### Isolation between switches over Temp.



## Software & Documentation Download:

- Mini-Circuits' full software and support package including user guide, Windows GUI, DLL files, programming manual and examples can be downloaded free of charge from <https://www.minicircuits.com/softwaredownload/solidstate.html>
- Please contact [testsolutions@minicircuits.com](mailto:testsolutions@minicircuits.com) for support

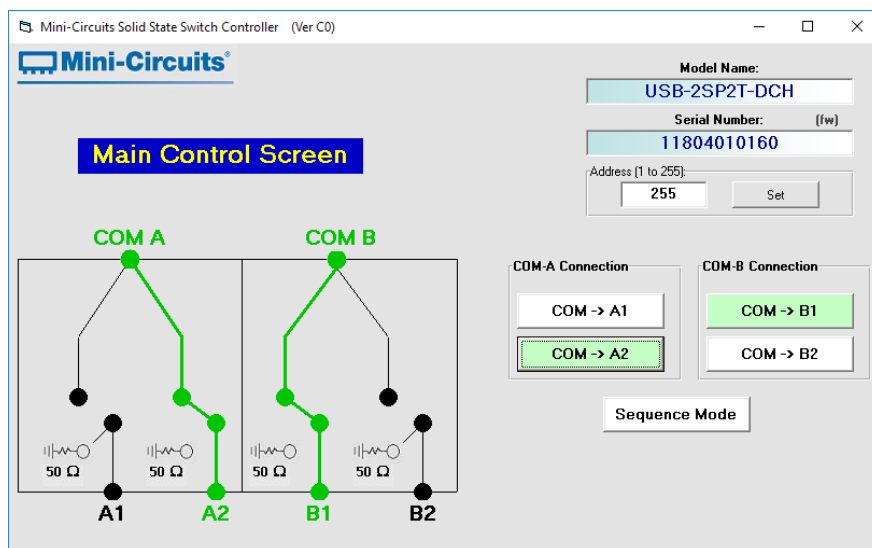
## Minimum System Requirements

Parameter	Requirements	
Interface	USB HID	
System requirements	GUI:	Windows 32 & 64 bit systems from Windows 98 up to Windows 10
	USB API (ActiveX & .Net)	Windows 32 & 64 bit systems with ActiveX or .Net support from Windows 98 up to Windows 10
	USB direct programming support	Linux, Windows systems from Windows 98 up to Windows 10
Hardware	Pentium® II or higher, RAM 256 MB	

## Graphical User Interface (GUI) for Windows

### Key Features:

- Set each switch manually
- Set timed sequence of switching states
- Configure switch address and upgrade Firmware



## Application Programming Interface (API)

### Windows Support:


- API DLL files exposing the full switch functionality See programming manual at [https://www.minicircuits.com/softwaredownload/Prog\\_Manual-Solid\\_State\\_Switch.pdf](https://www.minicircuits.com/softwaredownload/Prog_Manual-Solid_State_Switch.pdf) for details
  - ActiveX COM DLL file for creation of 32-bit programs
  - .Net library DLL file for creation of 32 / 64-bit programs
- Supported by most common programming environments (refer to application note [AN-49-001](#) for summary of tested environments)

### Linux Support:

- Full switch control in a Linux environment is achieved by way of USB interrupt commands. See programming manual at [https://www.minicircuits.com/softwaredownload/Prog\\_Manual-H\\_Series\\_Switches.pdf](https://www.minicircuits.com/softwaredownload/Prog_Manual-H_Series_Switches.pdf) for details

Ordering, Pricing & Availability Information see our web site

Model	Description
USB-2SP2T-DCH	USB RF SPDT Switch matrix

Included Accessories	Part No.	Description
	MUSB-CBL-3+	2.6 ft (0.8 m) USB Cable: USB type A(Male) to USB type Mini-B(Male)

Optional Accessories	Description
MUSB-CBL-3+ (Spare)	2.6 ft (0.8 m) USB Cable: USB type A(Male) to USB type Mini-B(Male)
MUSB-CBL-7+	6.6 ft (2.0 m) USB Cable: USB type A(Male) to USB type Mini-B(Male)

### Additional Notes

- A. Performance and quality attributes and conditions not expressly stated in this specification document are intended to be excluded and do not form a part of this specification document.
- B. Electrical specifications and performance data contained in this specification document are based on Mini-Circuit's applicable established test performance criteria and measurement instructions.
- C. The parts covered by this specification document are subject to Mini-Circuits standard limited warranty and terms and conditions (collectively, "Standard Terms"); Purchasers of this part are entitled to the rights and benefits contained therein. For a full statement of the Standard Terms and the exclusive rights and remedies thereunder, please visit Mini-Circuits' website at [www.minicircuits.com/MCLStore/terms.jsp](http://www.minicircuits.com/MCLStore/terms.jsp)